

2026
PRODUCT
CATALOGUE

CASHIER COUNTER CHECKOUTS





FLEXIBLE MODULAR DISPLAYS

Durable, reliable, and affordable—Phoenix metal checkouts are designed in Australia for the local market. Featuring stainless steel tops and robust steel construction, they're built to handle heavy trolley traffic. Including adjustable legs, internal storage, and external shelving for boosting impulse sales.

TABLE OF CONTENTS

Introduction	2
Table of Contents	3
Express Checkouts	4
Conveyor Checkouts	8
Liquor Counters	12

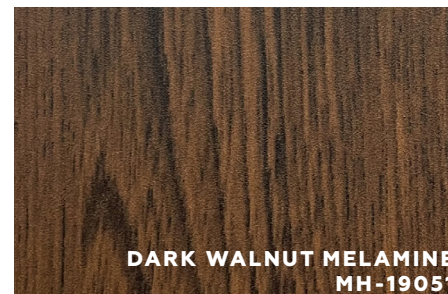


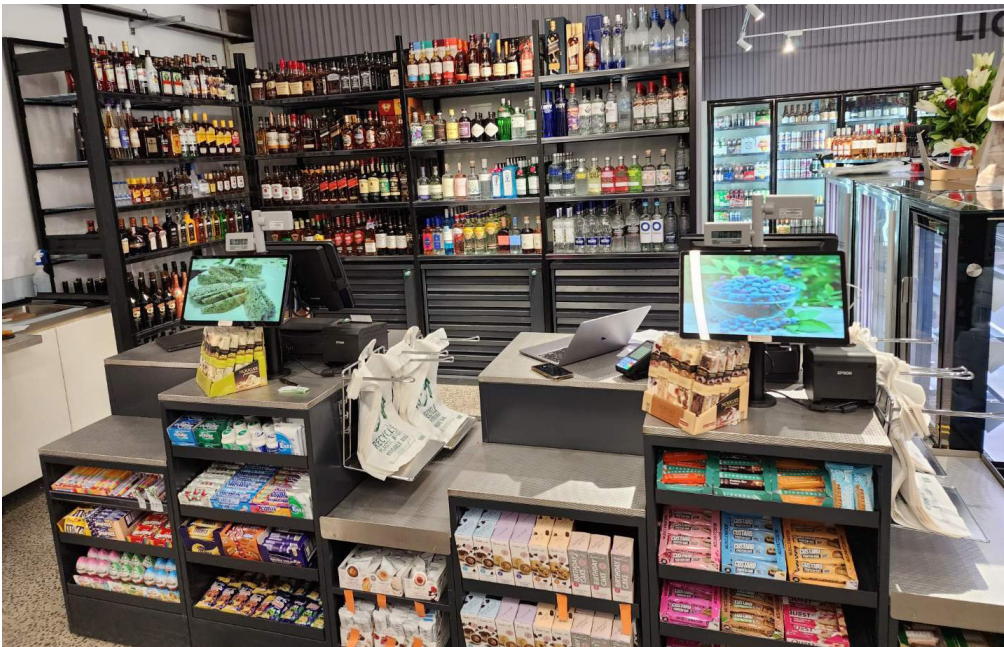
EXPRESS CHECKOUTS

Standard Finishes Options:



Made to Order Finishes Options:







Express Checkout

A compact, durable express lane with stainless steel top, basket shelf, bag packing area (includes 1 bag packer), and rear storage. Available in left- or right-hand configurations, with a built-in scale cut-out to suit the Magellan 9400i Medium Scanner/Scale. POS and scanner not included

Size: 1500 x 800 x 920 mm

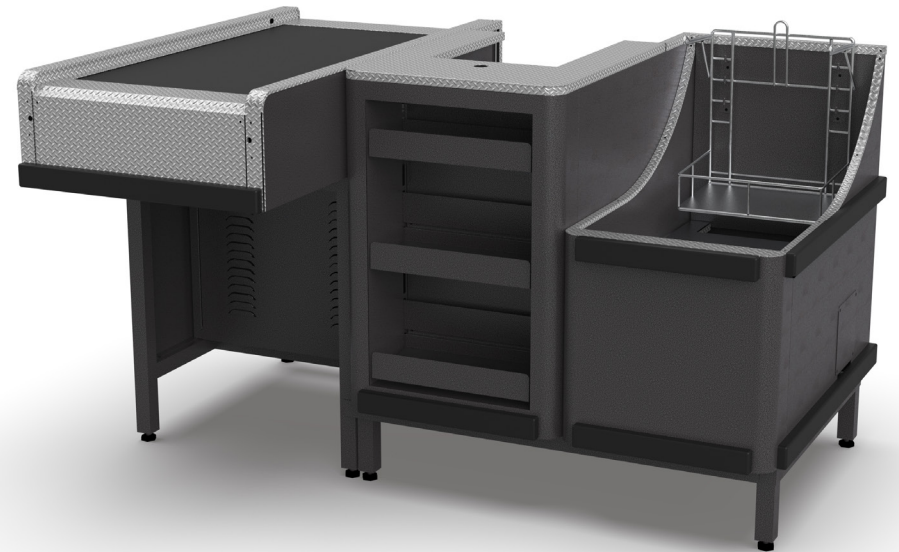
Product Code: 708-213 (Left Hand)/ 708-214 (Right Hand)

Express Checkout with Conveyor

Durable metal express checkout with conveyor, stainless steel top, basket shelf, and bag packing area (includes one bag packer). Includes adjustable confectionery shelving, rear storage, and heavy-duty legs. Scale cut-out (297 x 404mm) suits Magellan 9400i Medium Scanner/Scale. POS system and scanner/scale not included.

Size: 1550 x 1120 x 920mm

Product Code: 708-322 (Right Hand)/708-323 (Left Hand)





Express Checkout Universal

Modular metal express checkout configurable as left- or right-hand on site. Features stainless steel top, basket shelf, bag packing area with two bag packers, and rear storage. Includes adjustable confectionery shelving and heavy-duty legs. Scale cut-out (297 x 404mm) suits Magellan 9400i Medium Scanner/Scale. POS system and scanner/scale not included.

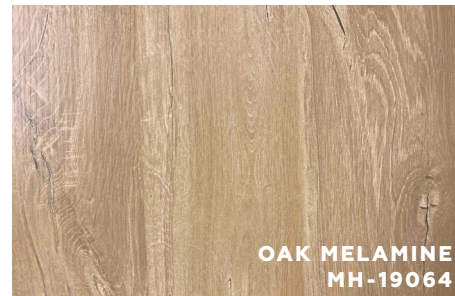
Size: 1500 x 800 x 920 mm
Product Code: 708-215



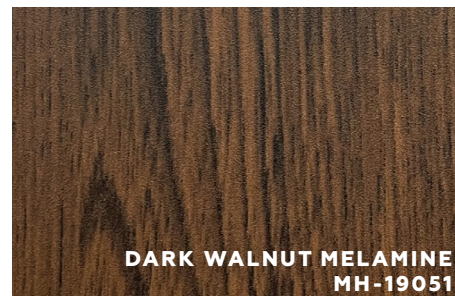


CONVEYOR CHECKOUT

Standard Finishes Options:

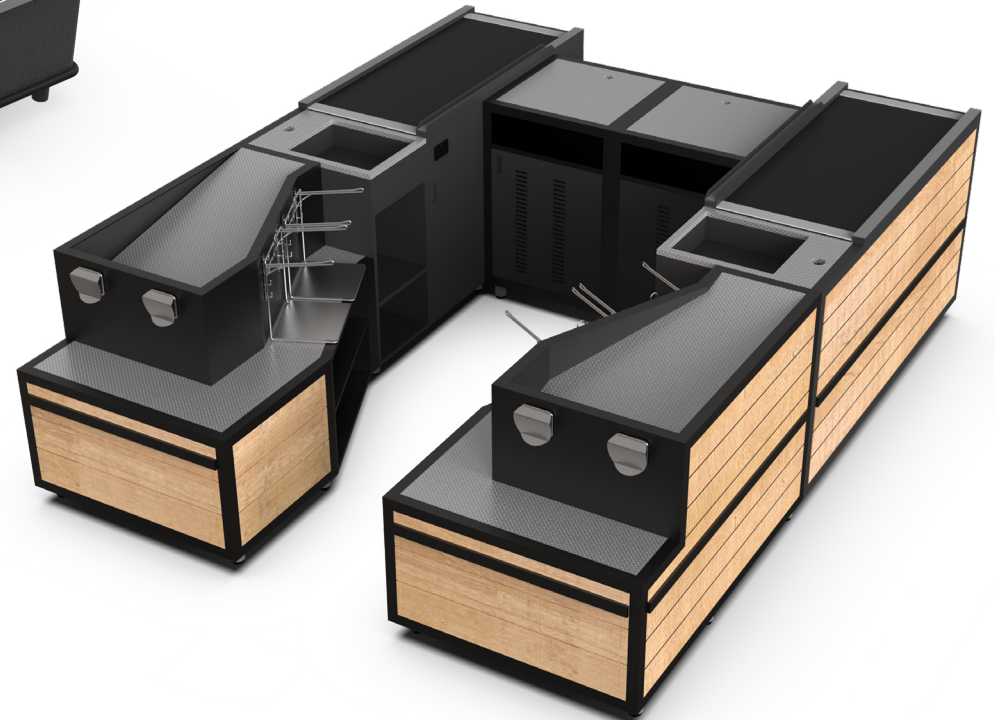
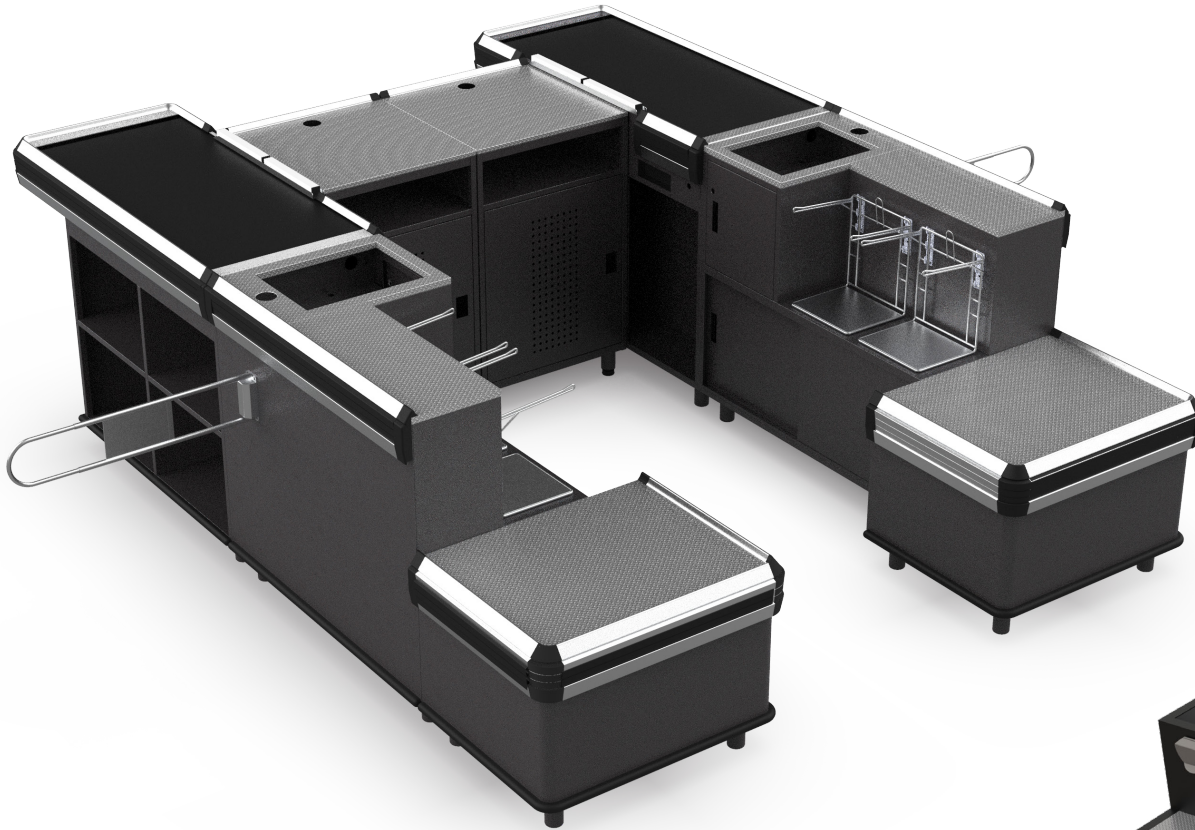


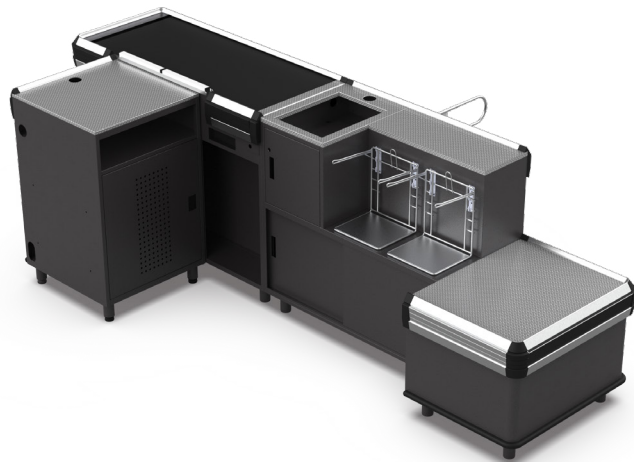
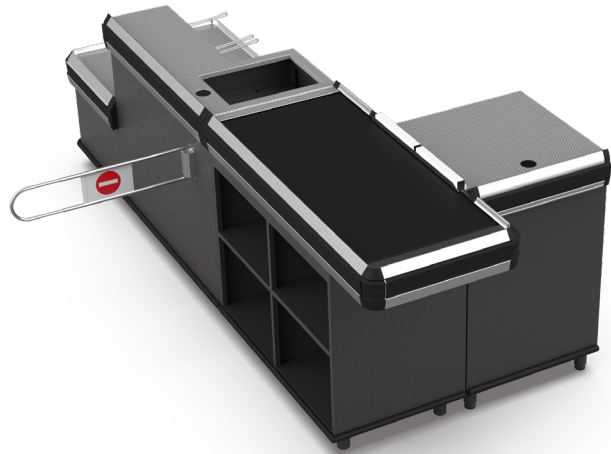
Made to Order Finishes Options:



BUILT FOR BUSY CHECKOUTS

Our conveyor checkouts are durable, cost-effective solutions designed for high-traffic retail environments. Available in single, tandem, and timber-look options, they combine heavy-duty metal construction, stainless steel tops, and integrated conveyors for smooth, efficient service. With thoughtful features like bag packing areas, storage, and scale cut-outs, they help streamline checkout operations while offering flexibility to suit any store layout.





Counter Conveyor Checkout LH/RH

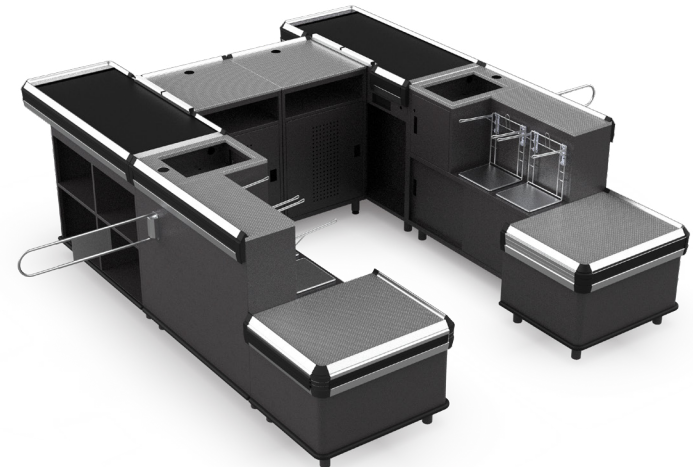
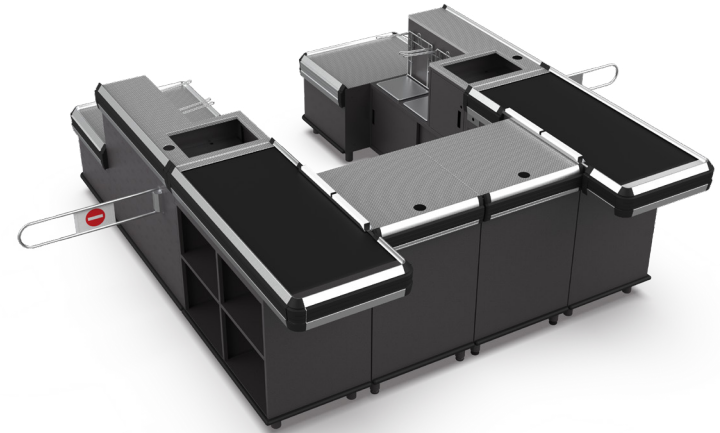
A durable, cost-effective metal checkout with conveyor, available in LH and RH configurations. With stainless steel tops, heavy-duty conveyor, bag packing area, and storage, it's ideal for high-traffic stores needing reliable, efficient service lanes. Includes dividers, sneeze guard, and scale cut-out for Magellan 9400i. POS system and scanner/scale not included.

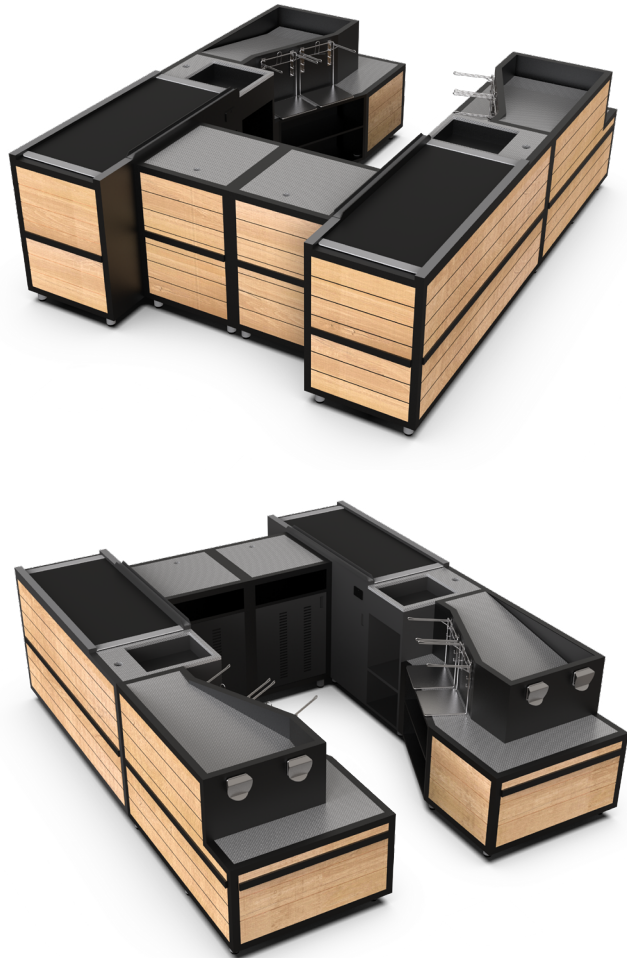
Size: 1185 x 3020 x 1000mm
Product Code: 708-206 (Left Hand)/708-208 (Right Hand)

Conveyor Checkout Tandem

A durable, cost-effective metal checkout with conveyor in tandem configuration, combining both left- and right-hand modules. POS system and scanner/scale not included.

Size: 2370x 3020 x 1000mm
Product Code: 708-209





Conveyor Checkout Tandem – Timber Finish

A durable, cost-effective tandem checkout with conveyor, in a warm timber-look finish. Perfect for high-traffic stores needing efficient dual-lane service with a premium touch. Includes stainless steel tops, heavy-duty conveyor, bag packing area with two bag packers and scale cut-out for Magellan 9400i. Includes 2 x bag clamp and set down for self packing. POS system and scanner/scale not included.

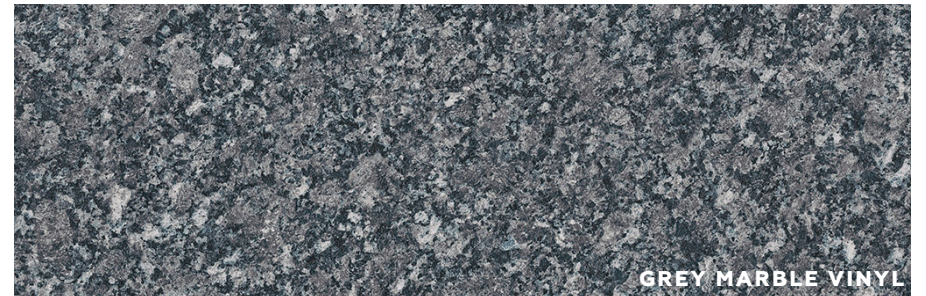
Product Code: TBA





LIQUOR COUNTERS

Standard Finishes Options:



GREY MARBLE VINYL



CHARCOAL MELAMINE

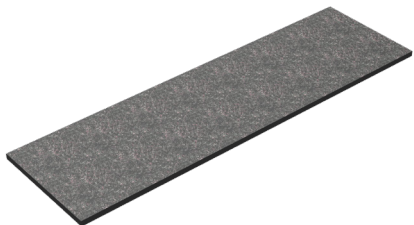
SMART, MODULAR CHECKOUT SOLUTIONS

Flexible checkout counters designed to suit any store size layout. Choose from standard layouts of 2400mm, 3000mm or mix and match modules to create your own configuration. Options include LED shelving, snack displays, glass cabinets, drawers, cupboards, and more—combining efficiency with a premium finish.



Bench Tops

Select from three bench top options to suit your store layout and equipment requirements. Each features a durable vinyl finish, built for daily use in high-traffic retail environments.



2400mm Bench Top

A practical solution for compact counters or stores with limited space. Offers enough room for essential checkout tasks while maintaining a smaller footprint.

Product Code: 708-1024 (Module K)

3000mm Bench Top

Ideal for larger checkouts requiring more working space. Provides ample room for POS equipment, bagging, and customer interaction.

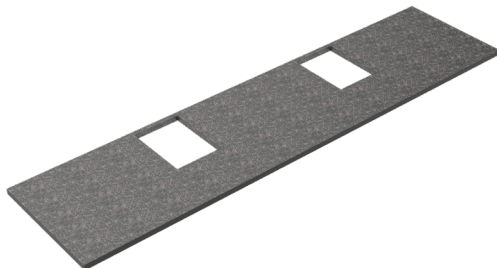
Product Code: 708-1025 (Module L)



3000mm Bench Top with Cut-Out

Includes a cut-out for integrated checkout screens or scanners, streamlining operations and improving customer flow.

Product Code: 708-2676 (Module P)



Customer Side Modules

Elevate your checkout area with display modules designed to boost impulse sales and improve product presentation. These units integrate seamlessly with the bench system for a clean, functional setup.



1200mm Angled Shelving with LED

Perfect for seasonal or promo items, with angled shelves for visibility and LED lighting to highlight products.

Product Code: 708-1021 (Module H)

600mm Snack Shelving

Perfect for fast-moving items like snacks and confectionery. Encourages impulse buys and fits neatly within the checkout flow.

Product Code: 708-1018 (Module G)



600mm Glass Display Cabinet

A secure, premium display for high-value or delicate items. Clear glass panels provide visibility with a sleek, professional finish.

Product Code: 708-1022 (Module I)

Operator Side Modules

Designed to support efficient checkout operations, these modules provide practical storage and workspace solutions for staff. Each unit integrates cleanly with the counter system for a professional, functional setup.



600mm Open Shelving

A versatile open unit ideal for storing packaging, bags, or frequently used supplies.

Product Code: 708-1373 (Module A)

600mm Two Door Cupboard

Provides enclosed, secure storage for tools, documents, or equipment. A clean and practical option for keeping the operator area tidy.

Product Code: 708-1400 (Module B)



600mm Drawer Unit

Includes multiple drawers for organised storage of smaller items such as POS supplies, stationery, or electronics.

Product Code: 708-1408 (Module C)



Scanner/Scale Modules

600mm Timber V Groove Scanner/Scale Unit

Specifically designed to accommodate scanner and scale modules in cut-out bench tops, while still providing functional shelf space below for operator use.

Product Code: 708-2675 (Module O)

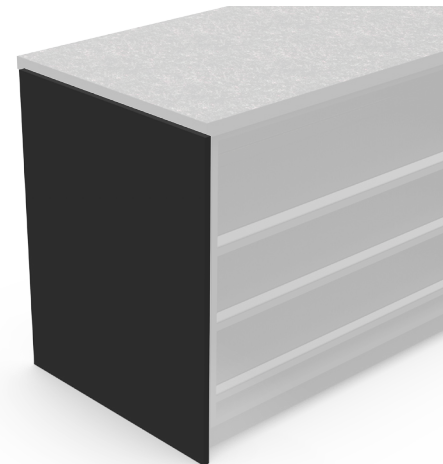


Customer Side



Operator Side

Counter Top End Cheeks



Counter Top End Cheeks

Finish off your checkout bench with clean, professional end cheeks for a polished look and added durability.

Product Code: 708-1023 (Module J)



Customer Side



Operator Side

Set A - 2400mm

Compact checkout setup with a 2400mm bench top. Includes two 1200mm angled LED shelves (customer-facing), plus two 600mm open shelves, a 600mm two-door cupboard, and a 600mm drawer unit on the operator side. Ideal for efficient, organised spaces.

Size: 2400mm (w) x 748mm (d) x 935mm (h)

Set B - 3000mm

3000mm bench setup designed to maximise display and storage. Customer side features a glass display cabinet and two 1200mm angled shelves with LED lighting to enhance product visibility. Operator side includes two 600mm two-door cupboards and three 600mm open shelving units for practical, organised storage.

Size: 3000mm (w) x 748mm (d) x 935mm (h)



Customer Side



Operator Side



Customer Side

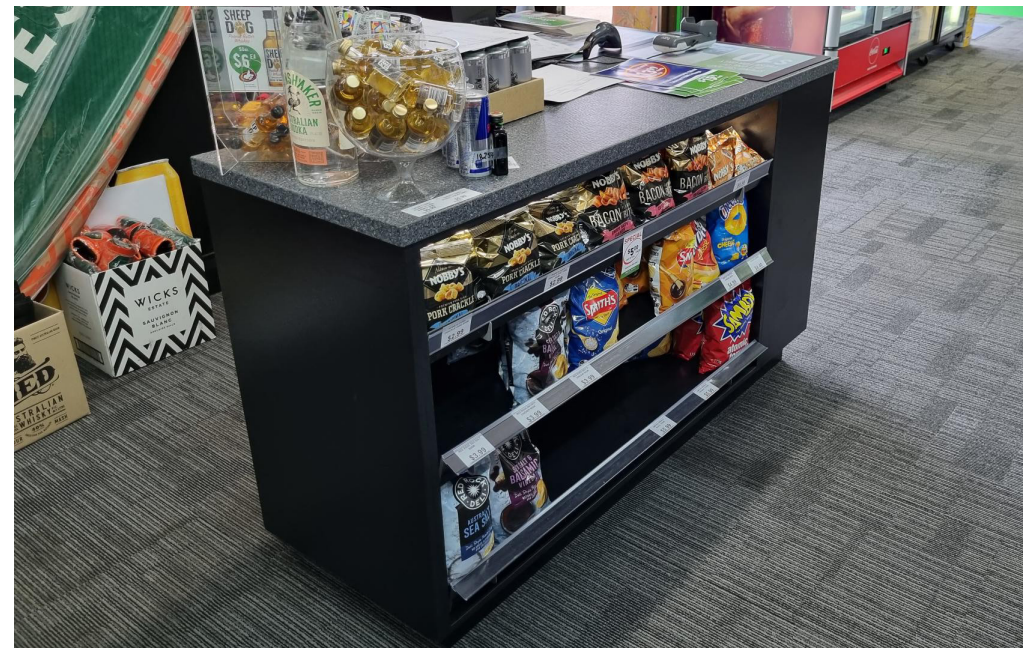


Operator Side

Set C - 3000mm with Scanner/Scale Module

Customer side includes 3 x 600mm snack shelves for impulse buys. Operator side features 2 x 600mm grooved front units designed for integrated scanners or scales. Ideal for high-traffic checkouts needing tech integration and strong product visibility.

Size: 3000mm (w) x 748mm (d) x 935mm (h)









*Have questions? We're happy to help!
Contact us for more information, pricing,
or to discuss your needs.*

www.gibsonretail.com.au

Head Office NSW

4 Lidco St
Arndell Park
NSW 2148

Tel: 02 8724 4600
Fax: 02 8724 4699

VIC Office

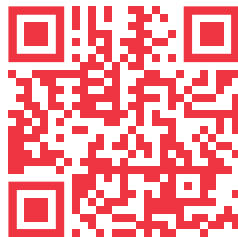
Level 7, 570 St Kilda
Rd
Melbourne
VIC 3004

Tel: 03 9545 3619

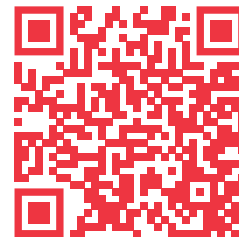
Shanghai

11F, Tower A,
1308 Lianhua Rd
Minhang District
Shanghai China

Tel: +86 21 5223 0161



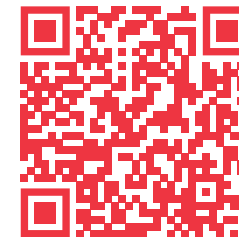
WEBSITE



LINKEDIN



FACEBOOK



INSTAGRAM